

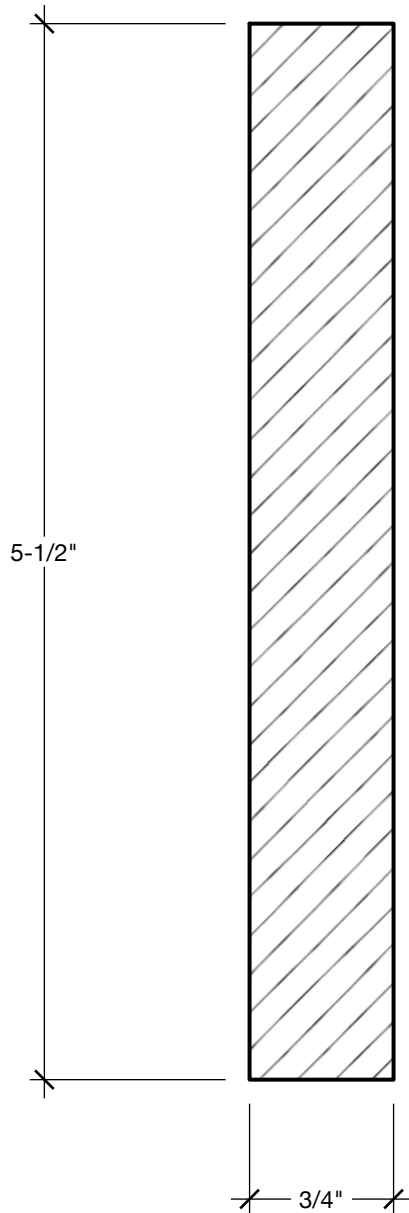
SCALE: 1" = 1"

CTS&I, Inc.
250 Energy Blvd
Rocky Mount, VA 24151
(540) 483-1222
www.ctsandi.com

CTS&I
BUILDING PRODUCTS AND SERVICES

1 x 4

TRIM BOARD - FINGER-JOINTED PRIMED PINE



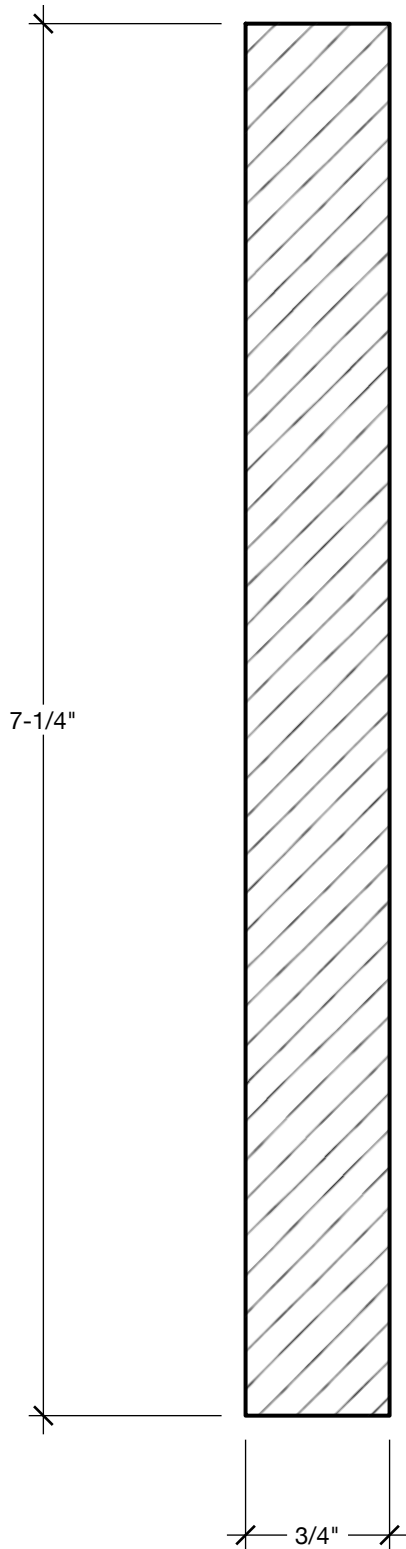
SCALE: 1" = 1"

CTS&I, Inc.
250 Energy Blvd
Rocky Mount, VA 24151
(540) 483-1222
www.ctsandi.com

CTS&I
BUILDING PRODUCTS AND SERVICES

1 x 6

TRIM BOARD - FINGER-JOINTED PRIMED PINE



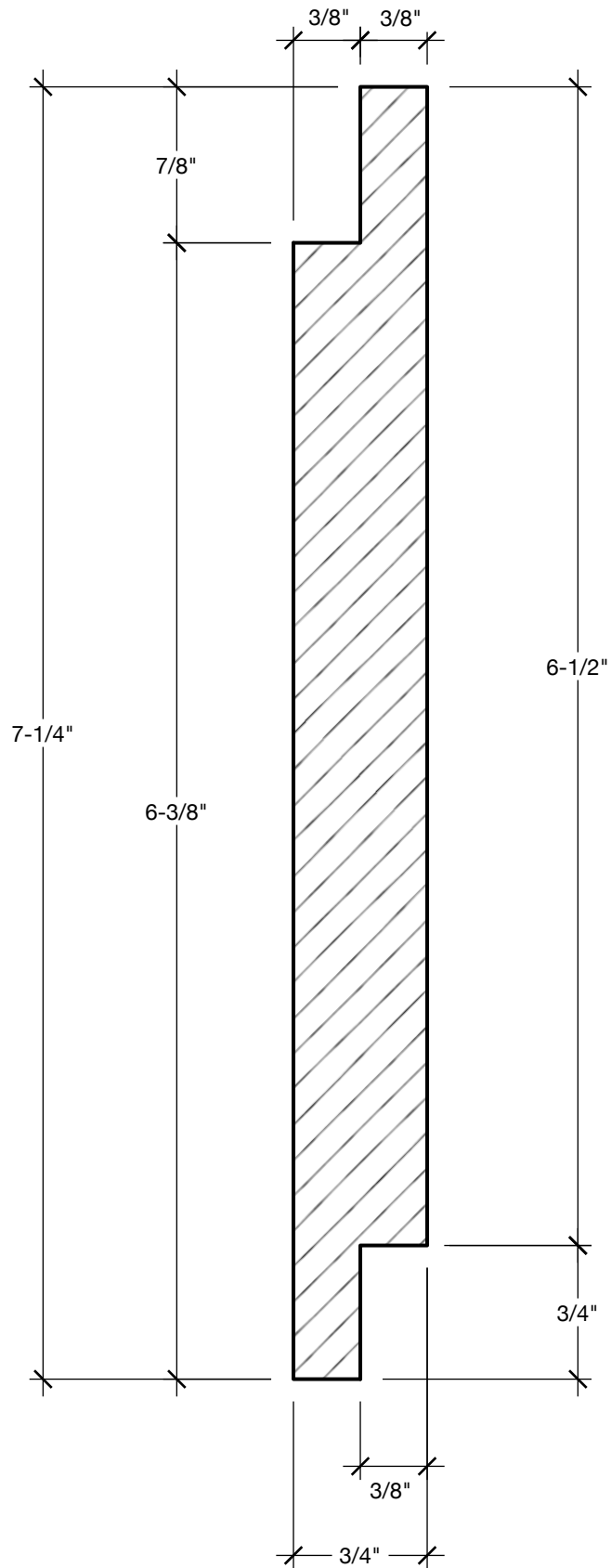
SCALE: 1" = 1"

CTS&I, Inc.
250 Energy Blvd
Rocky Mount, VA 24151
(540) 483-1222
www.ctsandi.com

CTS&I
BUILDING PRODUCTS AND SERVICES

1 x 8

TRIM BOARD - FINGER-JOINTED PRIMED PINE



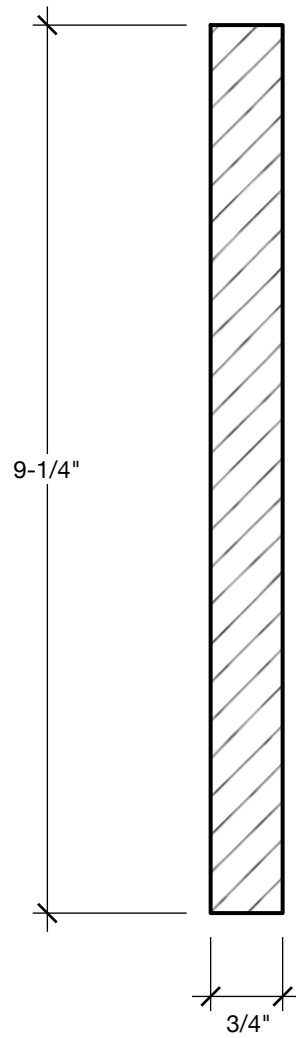
SCALE: 1" = 1"

CTS&I, Inc.
 250 Energy Blvd
 Rocky Mount, VA 24151
 (540) 483-1222
 www.ctsandi.com

CTS&I
 BUILDING PRODUCTS AND SERVICES

1 x 8 Shiplap

SHIPLAP/NICKEL GAP - FINGER-JOINTED PRIMED PINE



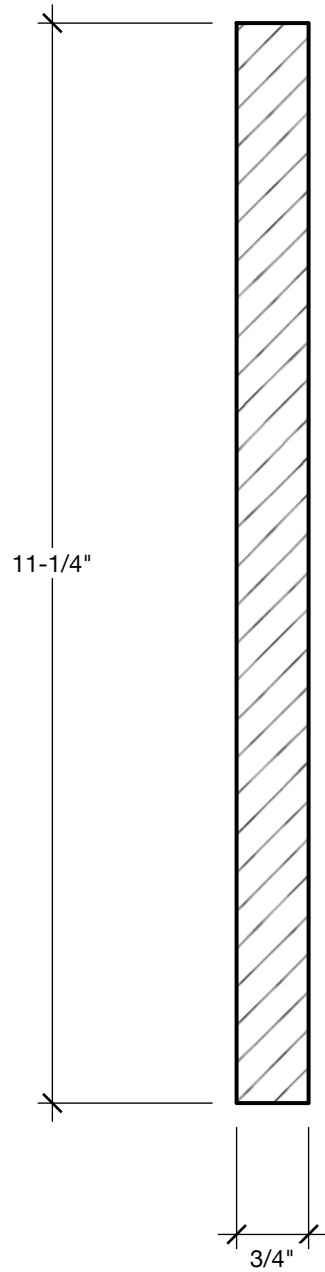
SCALE: 1/2" = 1"

CTS&I, Inc.
250 Energy Blvd
Rocky Mount, VA 24151
(540) 483-1222
www.ctsandi.com

CTS&I
BUILDING PRODUCTS AND SERVICES

1 x 10

TRIM BOARD - FINGER-JOINTED PRIMED PINE



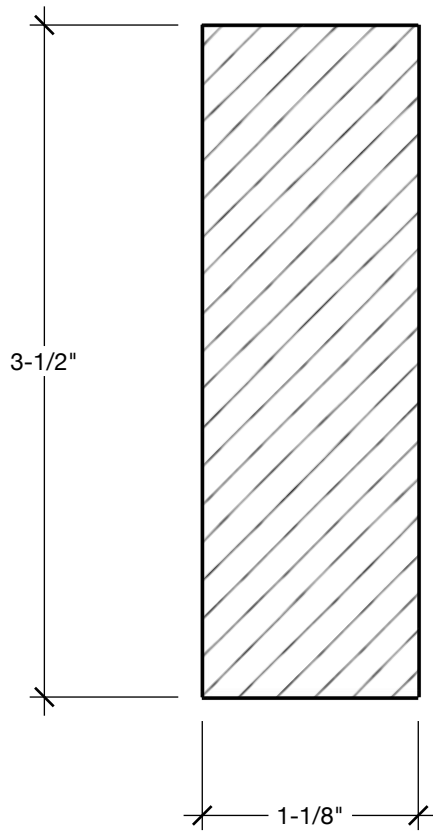
SCALE: 1/2" = 1"

CTS&I, Inc.
250 Energy Blvd
Rocky Mount, VA 24151
(540) 483-1222
www.ctsandi.com

CTS&I
BUILDING PRODUCTS AND SERVICES

1 x 12

TRIM BOARD - FINGER-JOINTED PRIMED PINE



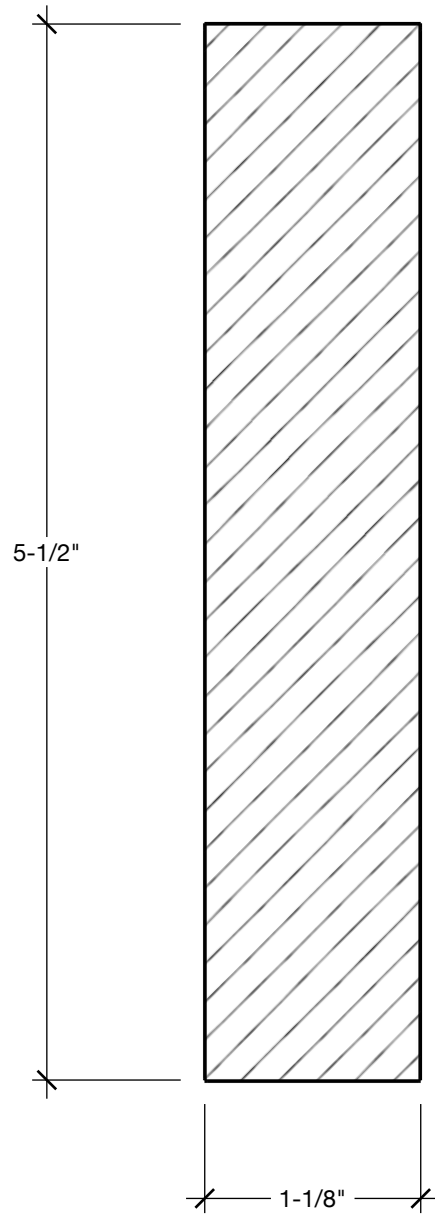
SCALE: 1" = 1"

CTS&I, Inc.
250 Energy Blvd
Rocky Mount, VA 24151
(540) 483-1222
www.ctsandi.com

CTS&I
BUILDING PRODUCTS AND SERVICES

5/4 x 4

TRIM BOARD - FINGER-JOINTED PRIMED PINE



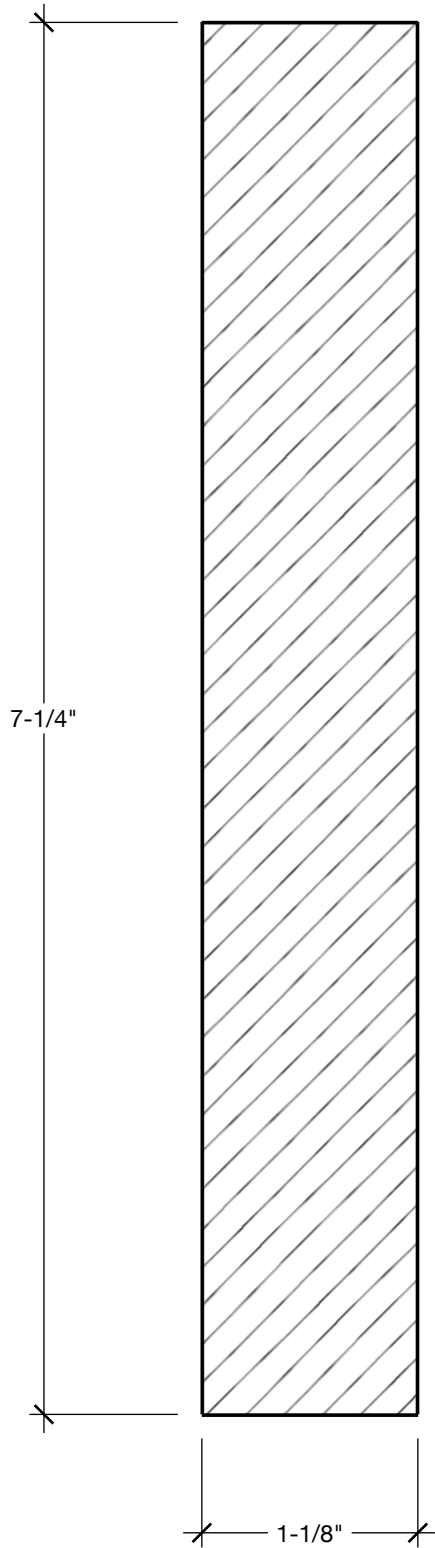
SCALE: 1" = 1"

CTS&I, Inc.
250 Energy Blvd
Rocky Mount, VA 24151
(540) 483-1222
www.ctsandi.com

CTS&I
BUILDING PRODUCTS AND SERVICES

5/4 x 6

TRIM BOARD - FINGER-JOINTED PRIMED PINE



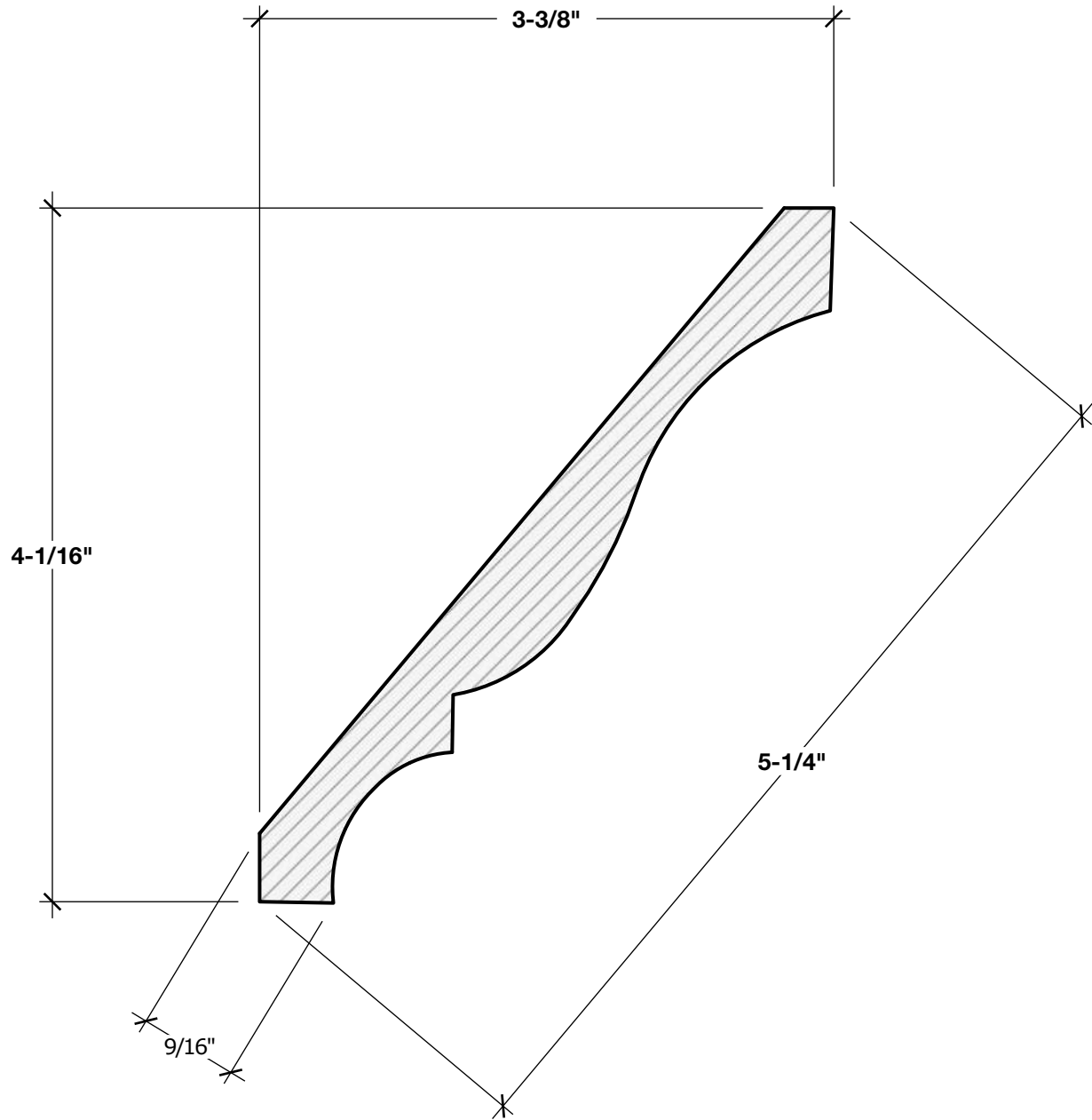
SCALE: 1" = 1"

CTS&I, Inc.
250 Energy Blvd
Rocky Mount, VA 24151
(540) 483-1222
www.ctsandi.com

CTS&I
BUILDING PRODUCTS AND SERVICES

5/4 x 8

TRIM BOARD - FINGER-JOINTED PRIMED PINE



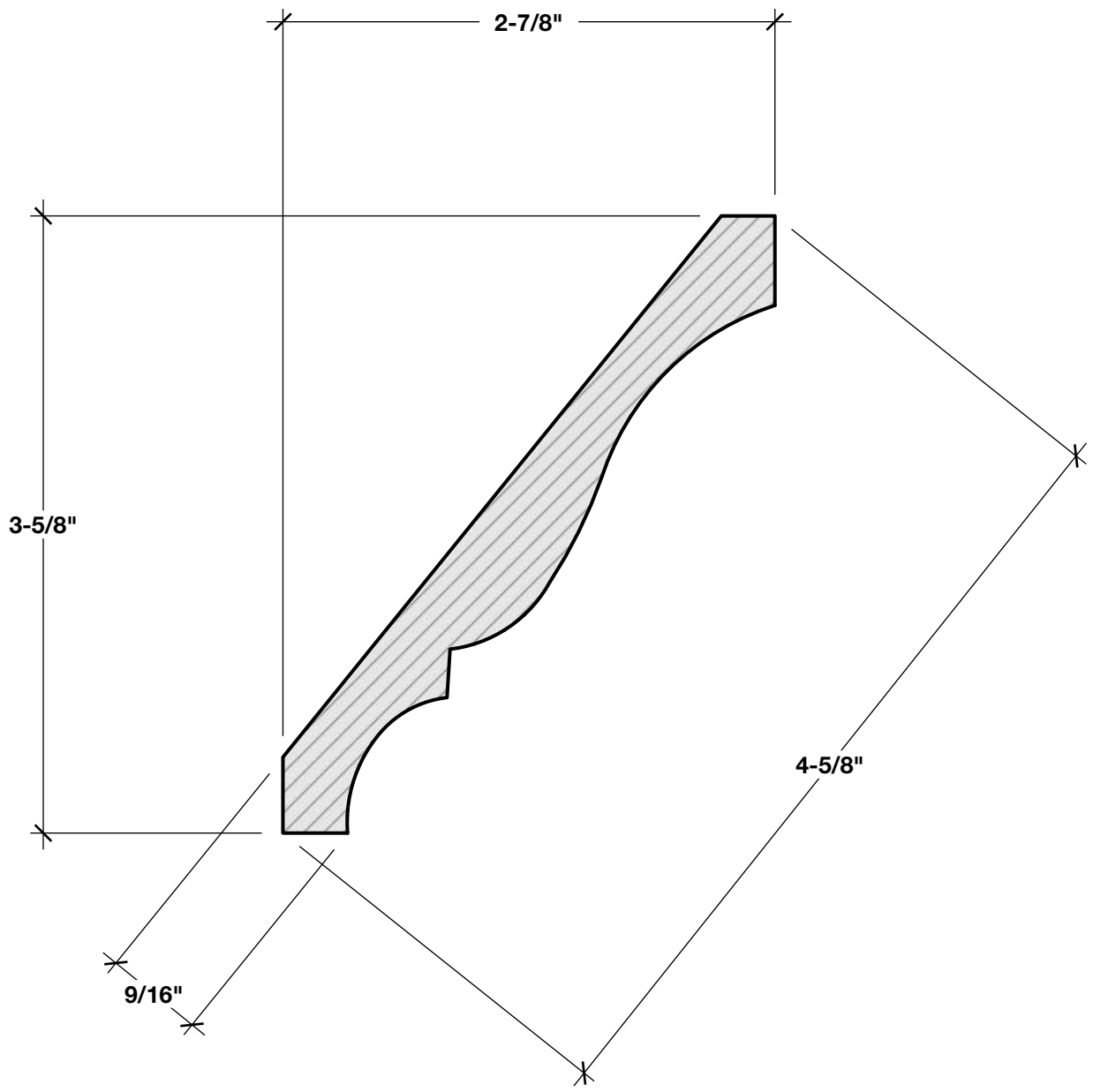
SCALE: 1" = 1"

CTS&I, Inc.
 250 Energy Blvd
 Rocky Mount, VA 24151
 (540) 483-1222
 www.ctsandl.com

CTS&I
 BUILDING PRODUCTS AND SERVICES

45

9/16" x 5-1/4" CROWN MOULD



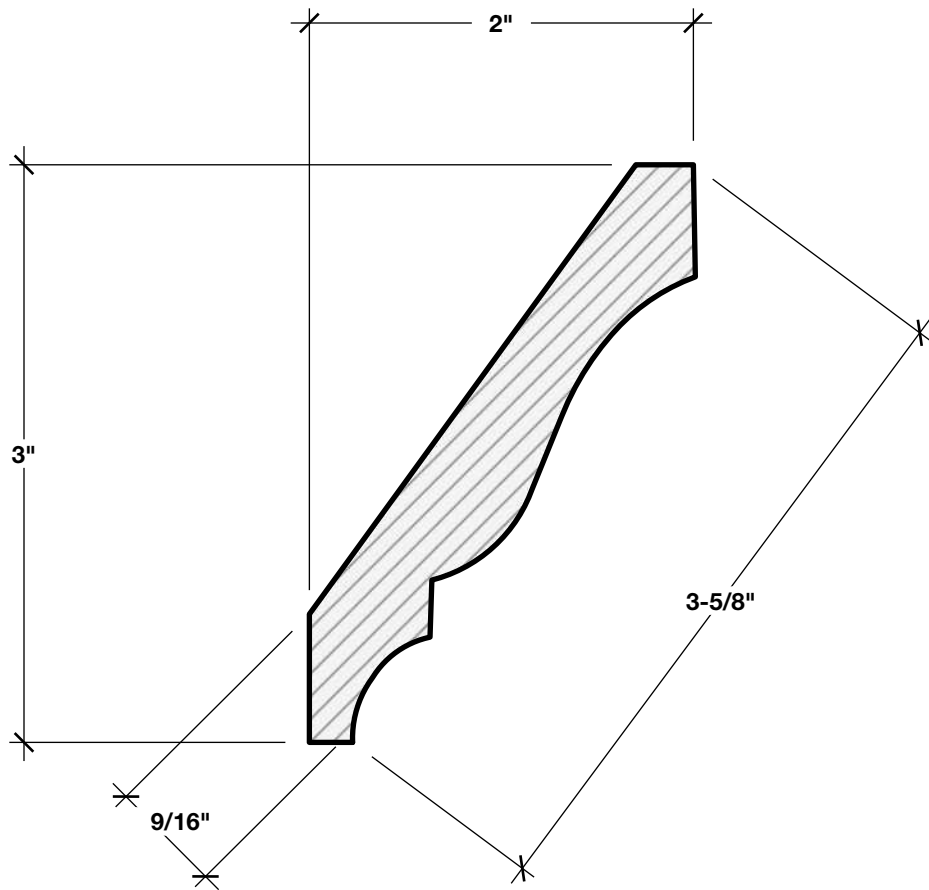
SCALE: 1" = 1"

CTS&I, Inc.
 250 Energy Blvd
 Rocky Mount, VA 24151
 (540) 483-1222
 www.ctsandl.com



47

9/16" x 4-5/8" CROWN MOULD



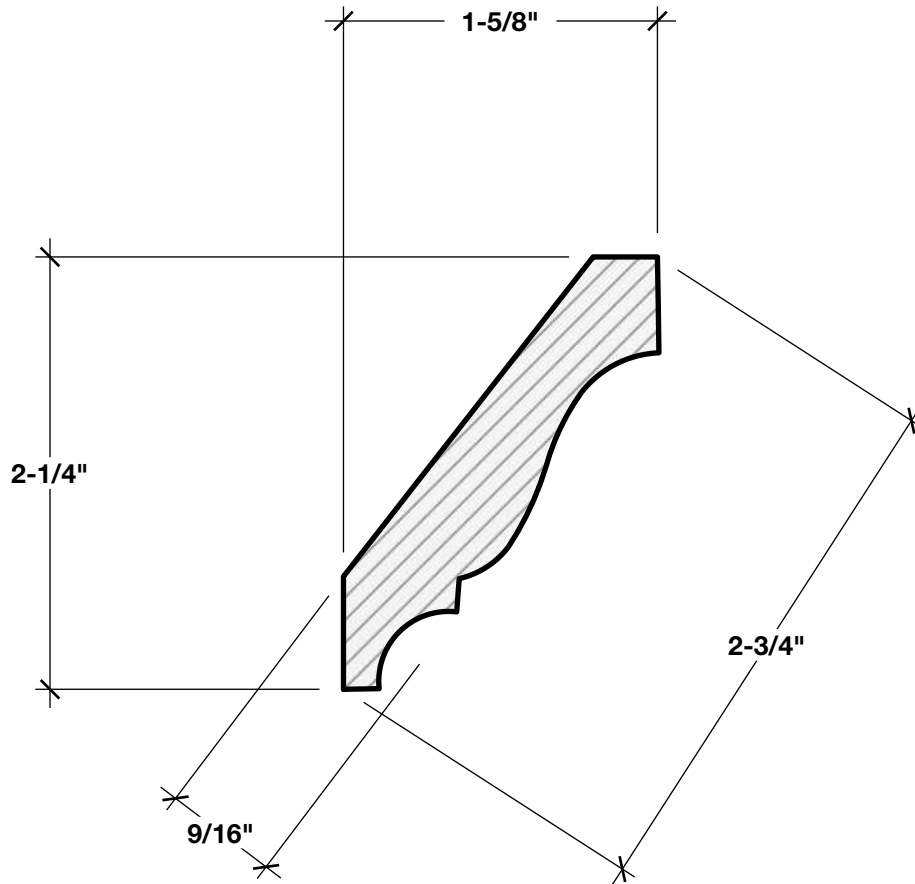
SCALE: 1" = 1"

CTS&I, Inc.
 250 Energy Blvd
 Rocky Mount, VA 24151
 (540) 483-1222
 www.ctsandl.com

CTS&I
 BUILDING PRODUCTS AND SERVICES

49

9/16" x 3-5/8" CROWN MOULD



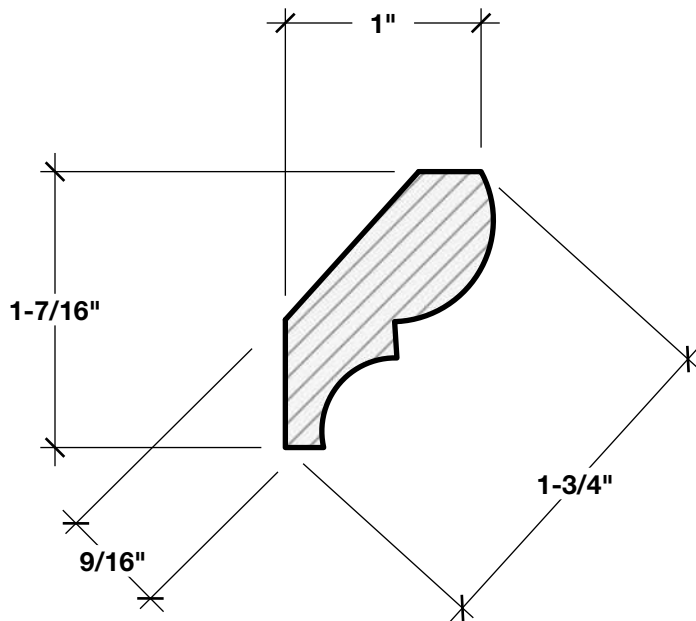
SCALE: 1" = 1"

CTS&I, Inc.
 250 Energy Blvd
 Rocky Mount, VA 24151
 (540) 483-1222
 www.ctsandl.com

CTS&I
 BUILDING PRODUCTS AND SERVICES

52

9/16" x 2-3/4" CROWN MOULD



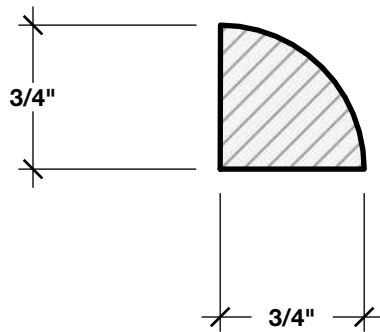
SCALE: 1" = 1"

CTS&I, Inc.
 250 Energy Blvd
 Rocky Mount, VA 24151
 (540) 483-1222
 www.ctsandl.com

CTS&I
 BUILDING PRODUCTS AND SERVICES

74

9/16" x 1-3/4" BED MOULD



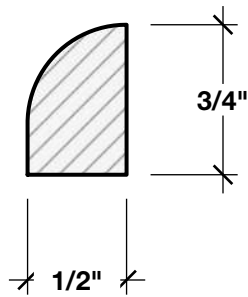
SCALE: 1" = 1"

CTS&I, Inc.
250 Energy Blvd
Rocky Mount, VA 24151
(540) 483-1222
www.ctsandl.com

CTS&I
BUILDING PRODUCTS AND SERVICES

106

3/4" x 3/4" QUARTER ROUND



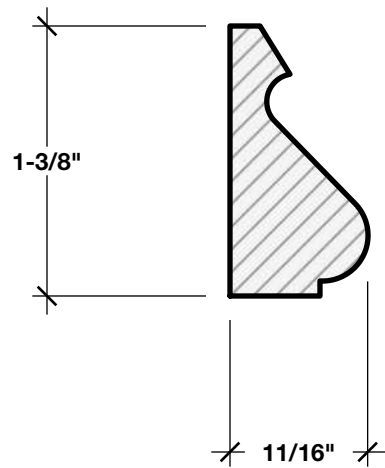
SCALE: 1" = 1"

CTS&I, Inc.
250 Energy Blvd
Rocky Mount, VA 24151
(540) 483-1222
www.ctsandl.com

CTS&I
BUILDING PRODUCTS AND SERVICES

126

1/2" x 3/4" SHOE MOULD



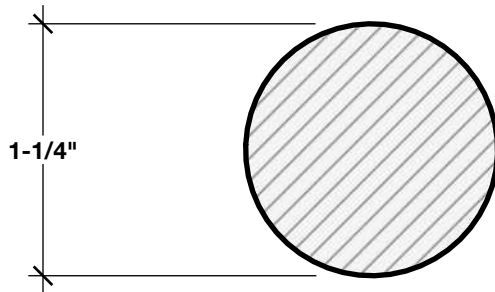
SCALE: 1" = 1"

CTS&I, Inc.
250 Energy Blvd
Rocky Mount, VA 24151
(540) 483-1222
www.ctsandl.com

CTS&I
BUILDING PRODUCTS AND SERVICES

163

11/16" x 1-3/8" BASE CAP



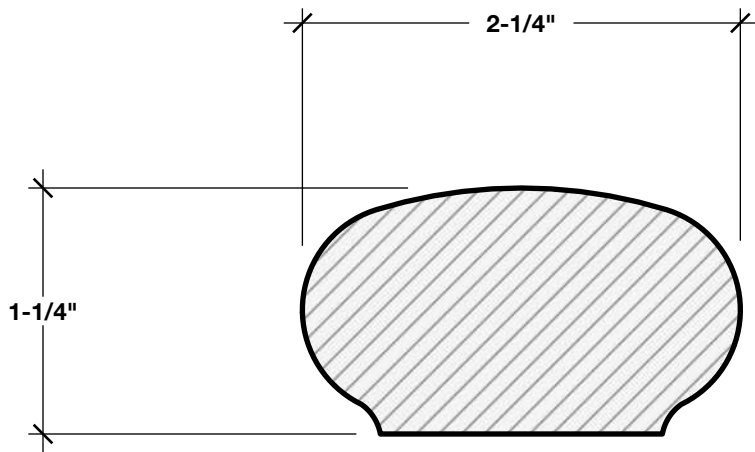
SCALE: 1" = 1"

CTS&I, Inc.
250 Energy Blvd
Rocky Mount, VA 24151
(540) 483-1222
www.ctsandl.com

CTS&I
BUILDING PRODUCTS AND SERVICES

233

1-1/4" CLOSET ROD



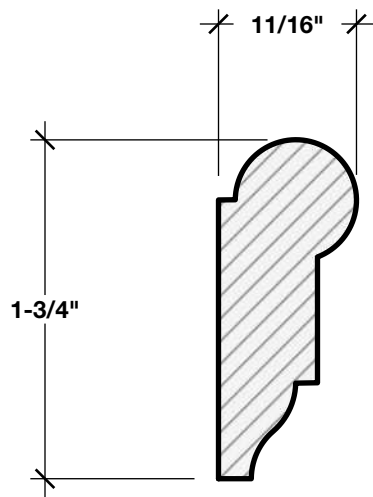
SCALE: 1" = 1"

CTS&I, Inc.
250 Energy Blvd
Rocky Mount, VA 24151
(540) 483-1222
www.ctsandi.com

CTS&I
BUILDING PRODUCTS AND SERVICES

240

1-1/4" x 2-1/4" HAND RAIL



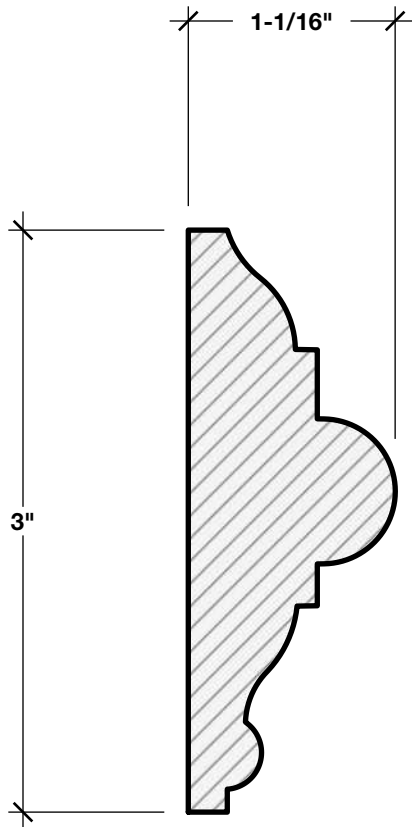
SCALE: 1" = 1"

CTS&I, Inc.
250 Energy Blvd
Rocky Mount, VA 24151
(540) 483-1222
www.ctsandl.com

CTS&I
BUILDING PRODUCTS AND SERVICES

273

11/16" x 1-3/4" PICTURE MOULD



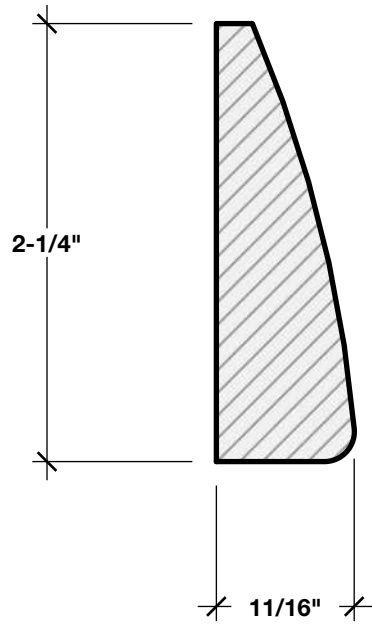
SCALE: 1" = 1"

CTS&I, Inc.
250 Energy Blvd
Rocky Mount, VA 24151
(540) 483-1222
www.ctsandl.com

CTS&I
BUILDING PRODUCTS AND SERVICES

300

1-1/16" x 3" CHAIR RAIL



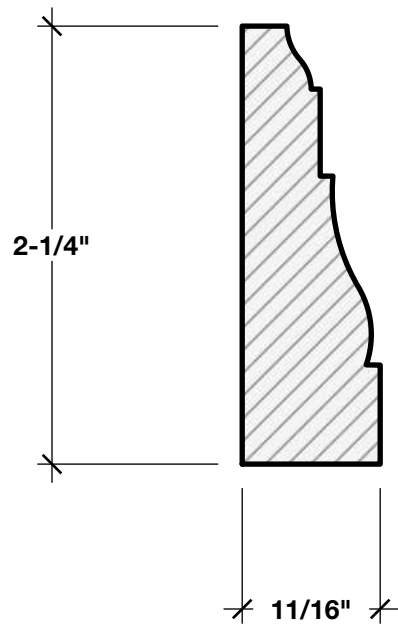
SCALE: 1" = 1"

CTS&I, Inc.
250 Energy Blvd
Rocky Mount, VA 24151
(540) 483-1222
www.ctsandl.com

CTS&I
BUILDING PRODUCTS AND SERVICES

327

11/16" x 2-1/4" CASING



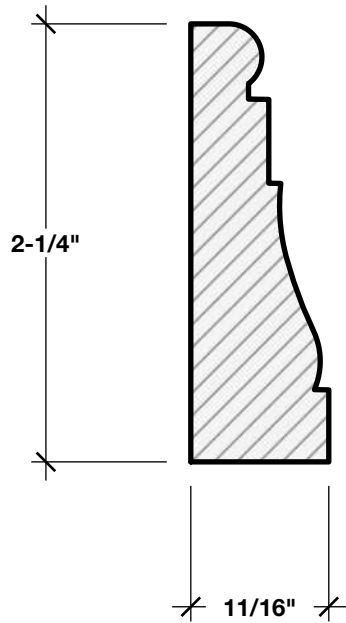
SCALE: 1" = 1"

CTS&I, Inc.
250 Energy Blvd
Rocky Mount, VA 24151
(540) 483-1222
www.ctsandi.com

CTS&I
BUILDING PRODUCTS AND SERVICES

366

11/16" x 2-1/4" CASING



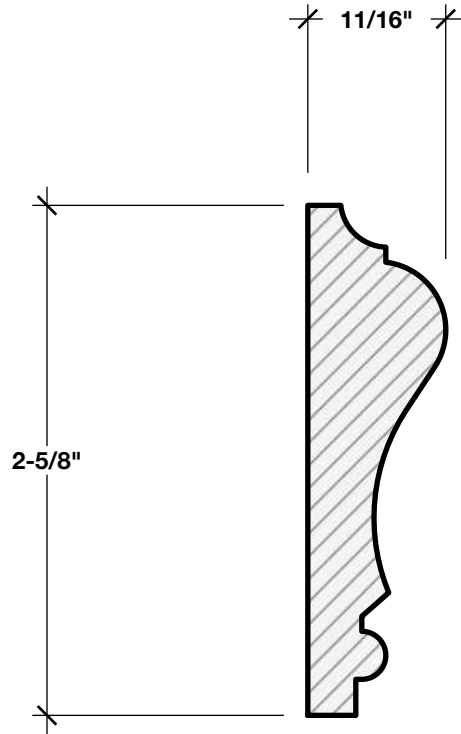
SCALE: 1" = 1"

CTS&I, Inc.
250 Energy Blvd
Rocky Mount, VA 24151
(540) 483-1222
www.ctsandl.com

CTS&I
BUILDING PRODUCTS AND SERVICES

376

11/16" x 2-1/4" CASING



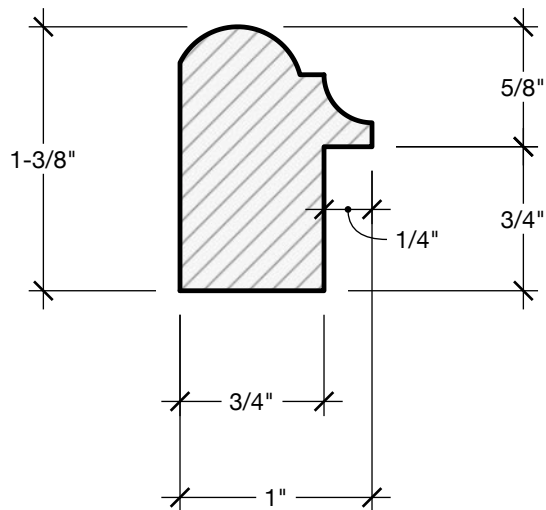
SCALE: 1" = 1"

CTS&I, Inc.
250 Energy Blvd
Rocky Mount, VA 24151
(540) 483-1222
www.ctsandi.com

CTS&I
BUILDING PRODUCTS AND SERVICES

390

11/16" x 2-5/8" CHAIR RAIL



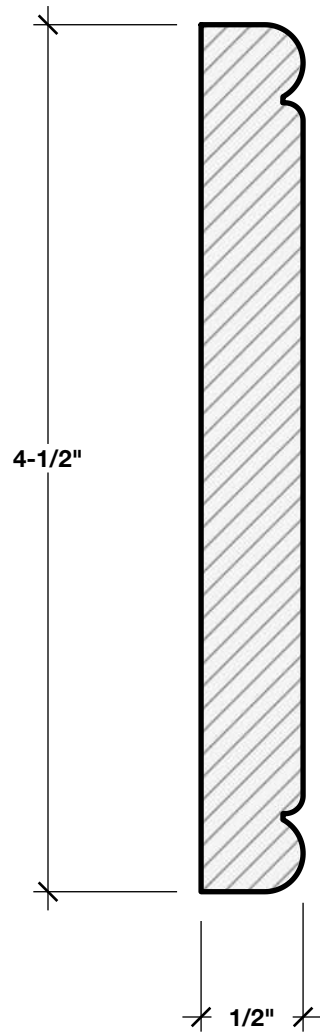
SCALE: 1" = 1"

CTS&I, Inc.
 250 Energy Blvd
 Rocky Mount, VA 24151
 (540) 483-1222
 www.ctsandi.com

CTS&I
 BUILDING PRODUCTS AND SERVICES

CT-410

1" x 1-3/8" BACKBAND - SOLID POPLAR, UNFINISHED



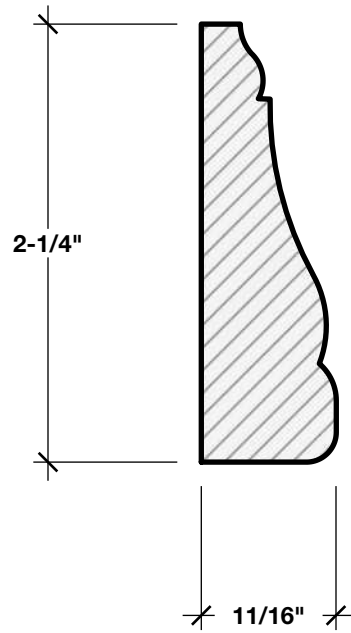
SCALE: 1" = 1"

CTS&I, Inc.
250 Energy Blvd
Rocky Mount, VA 24151
(540) 483-1222
www.ctsandi.com

CTS&I
BUILDING PRODUCTS AND SERVICES

425

1/2" x 4-1/2" CHAIR RAIL BACKER



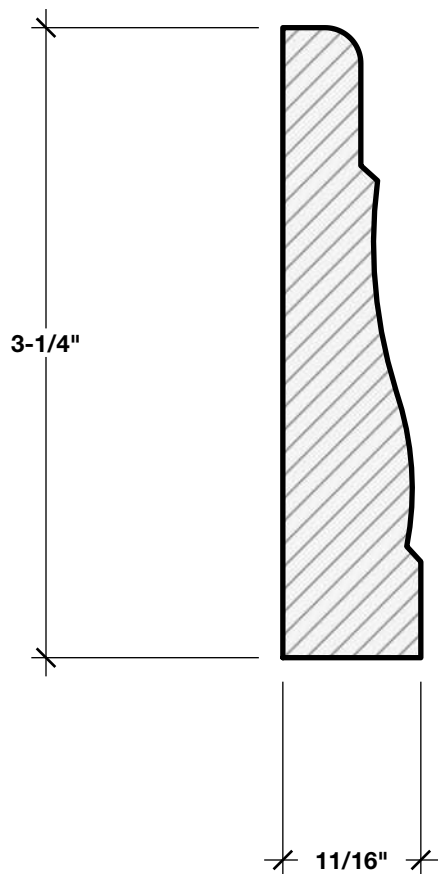
SCALE: 1" = 1"

CTS&I, Inc.
250 Energy Blvd
Rocky Mount, VA 24151
(540) 483-1222
www.ctsandi.com

CTS&I
BUILDING PRODUCTS AND SERVICES

442

11/16" x 2-1/4" CASING



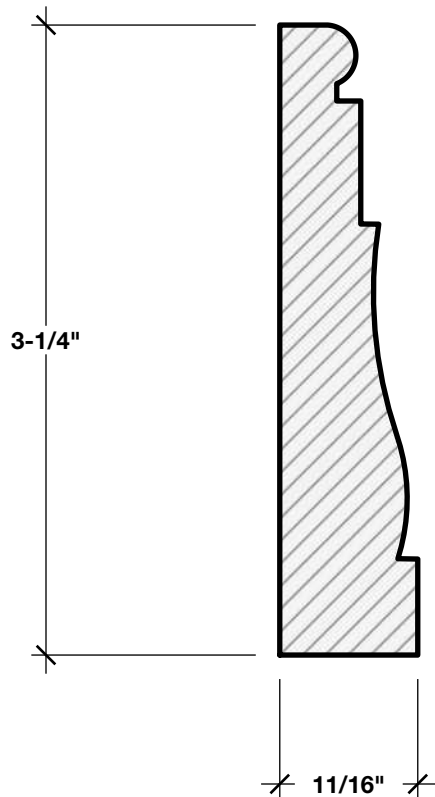
SCALE: 1" = 1"

CTS&I, Inc.
250 Energy Blvd
Rocky Mount, VA 24151
(540) 483-1222
www.ctsandl.com

CTS&I
BUILDING PRODUCTS AND SERVICES

444

11/16" x 3-1/4" CASING



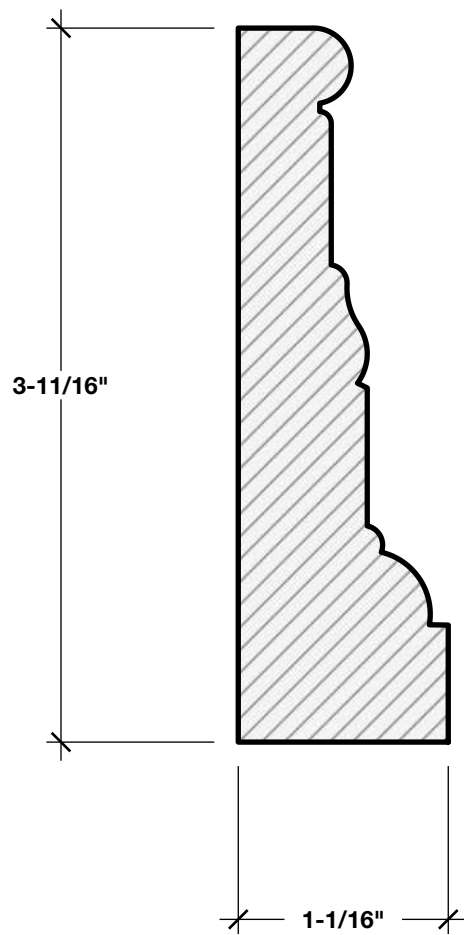
SCALE: 1" = 1"

CTS&I, Inc.
250 Energy Blvd
Rocky Mount, VA 24151
(540) 483-1222
www.ctsandi.com

CTS&I
BUILDING PRODUCTS AND SERVICES

445

11/16" x 3-1/4" CASING



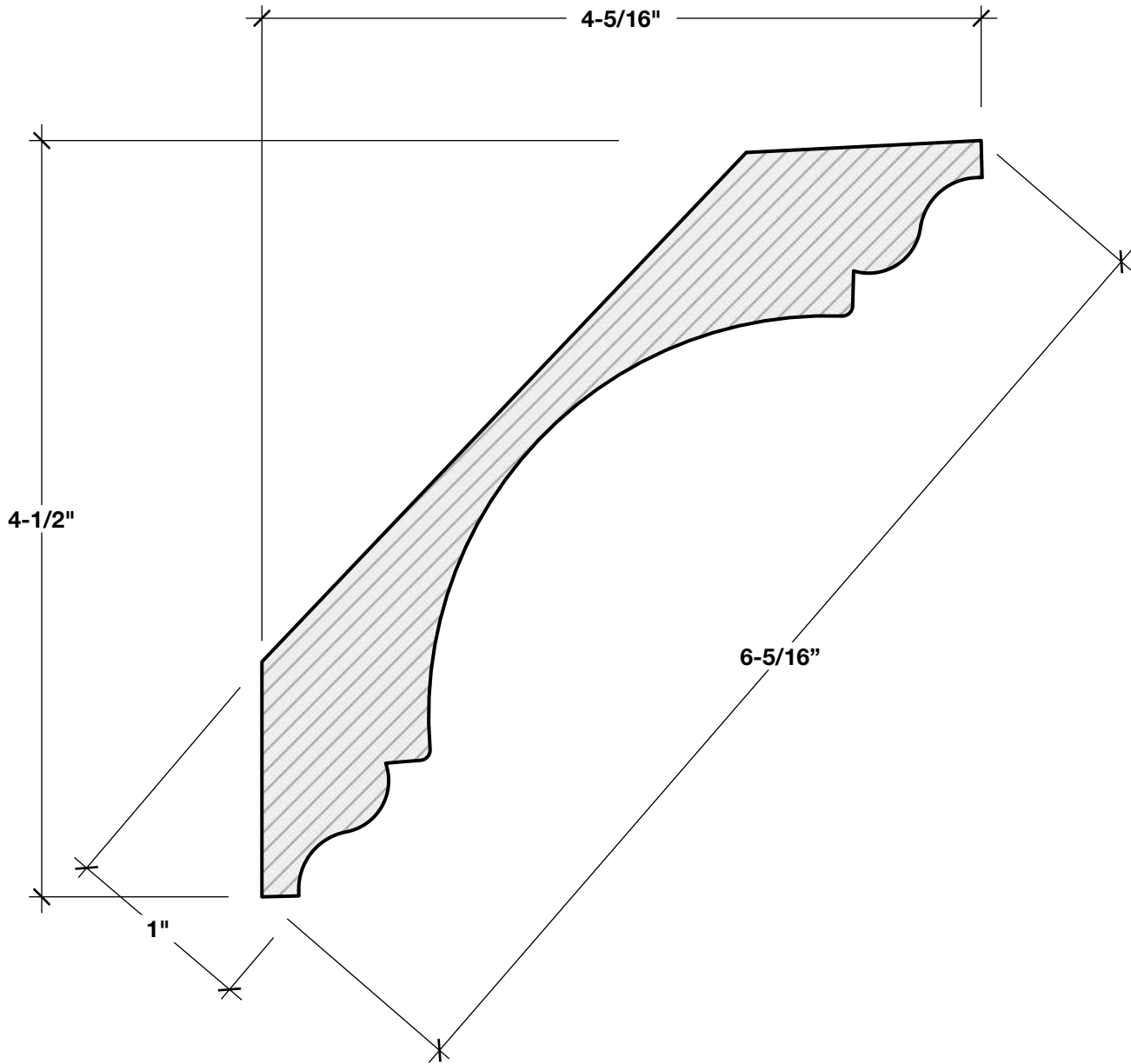
SCALE: 1" = 1"

CTS&I, Inc.
250 Energy Blvd
Rocky Mount, VA 24151
(540) 483-1222
www.ctsandl.com

CTS&I
BUILDING PRODUCTS AND SERVICES

470

1-1/16" x 3-11/16" CASING



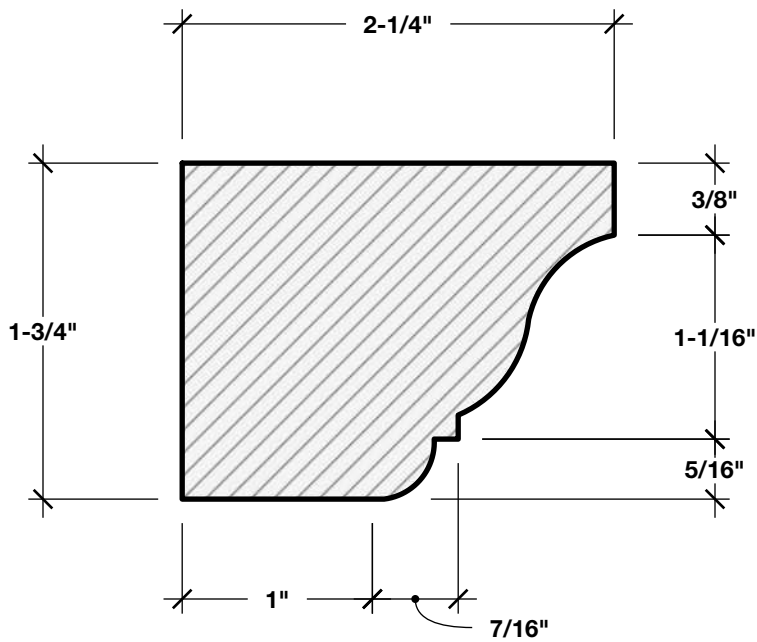
SCALE: 1" = 1"

CTS&I, Inc.
 250 Energy Blvd
 Rocky Mount, VA 24151
 (540) 483-1222
 www.ctsandl.com

CTS&I
 BUILDING PRODUCTS AND SERVICES

500

1" x 6-5/16" CROWN MOULD



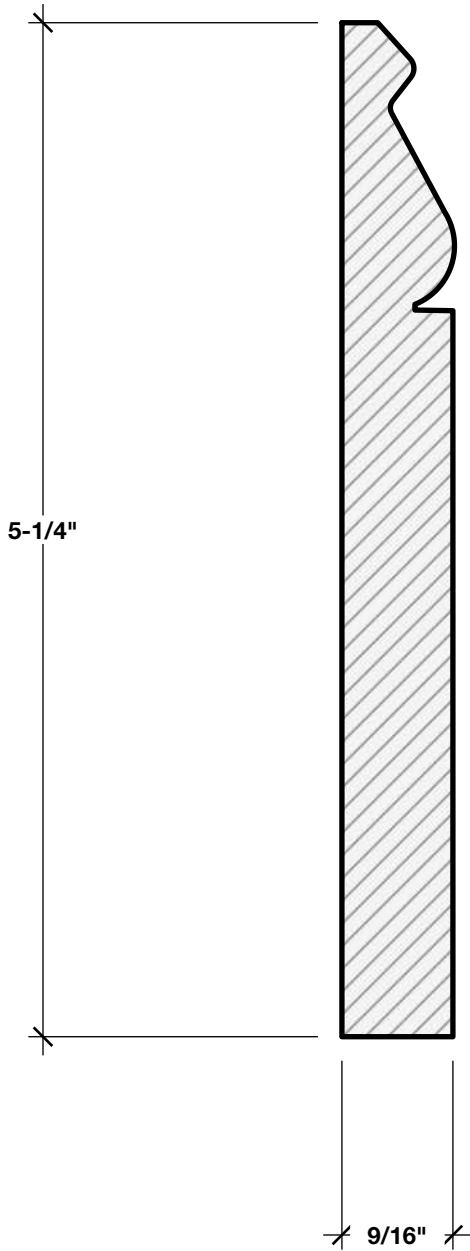
SCALE: 1" = 1"

CTS&I, Inc.
 250 Energy Blvd
 Rocky Mount, VA 24151
 (540) 483-1222
 www.ctsandl.com

CTS&I
 BUILDING PRODUCTS AND SERVICES

503

2-1/4" x 1-3/4" HEADER CAP



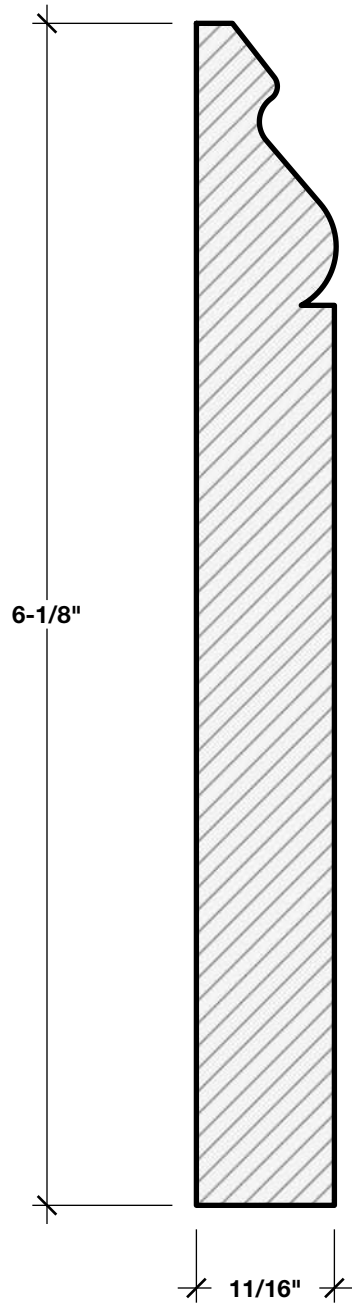
SCALE: 1" = 1"

CTS&I, Inc.
250 Energy Blvd
Rocky Mount, VA 24151
(540) 483-1222
www.ctsandl.com

CTS&I
BUILDING PRODUCTS AND SERVICES

610

9/16" x 5-1/4" BASE MOULD



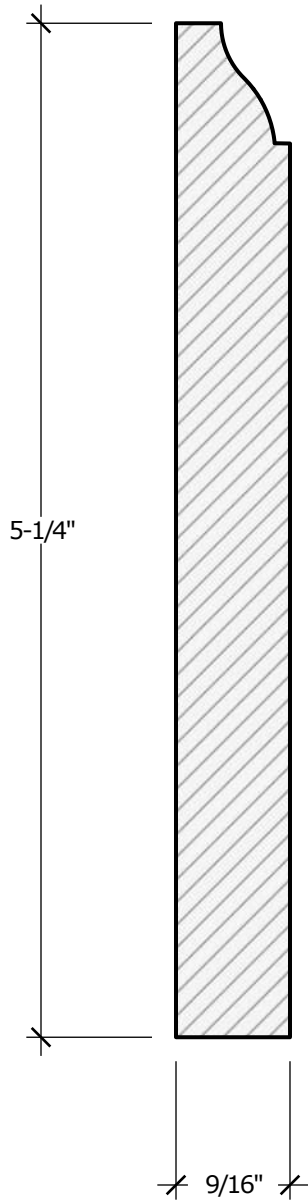
SCALE: 1" = 1"

CTS&I, Inc.
250 Energy Blvd
Rocky Mount, VA 24151
(540) 483-1222
www.ctsandi.com

CTS&I
BUILDING PRODUCTS AND SERVICES

616

11/16" x 6-1/8" BASE MOULD



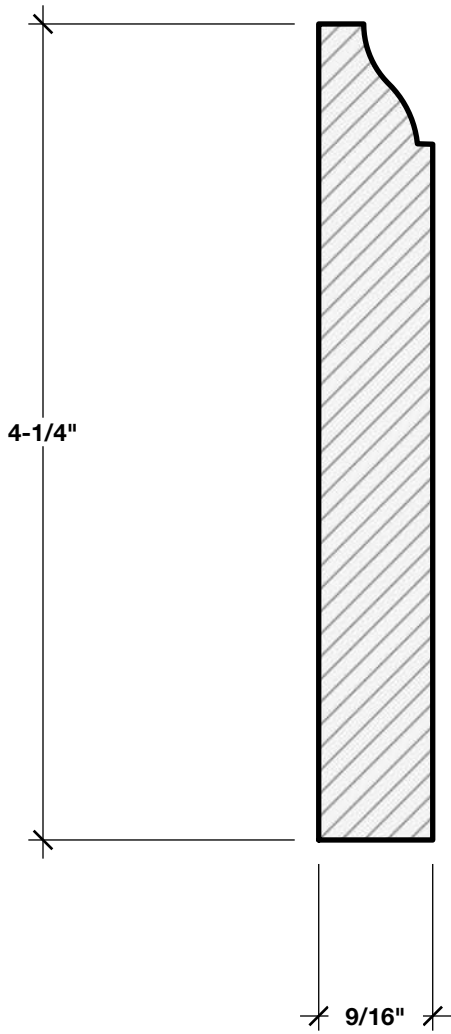
SCALE: 1" = 1"

CTS&I, Inc.
250 Energy Blvd
Rocky Mount, VA 24151
(540) 483-1222
www.ctsandl.com

CTS&I
BUILDING PRODUCTS AND SERVICES

618

9/16" x 5-1/4" BASE MOULD



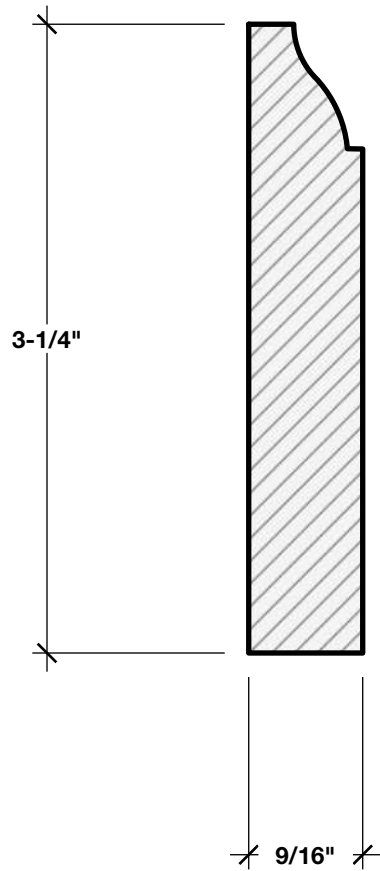
SCALE: 1" = 1"

CTS&I, Inc.
250 Energy Blvd
Rocky Mount, VA 24151
(540) 483-1222
www.ctsandl.com

CTS&I
BUILDING PRODUCTS AND SERVICES

620

9/16" x 4-1/4" BASE MOULD



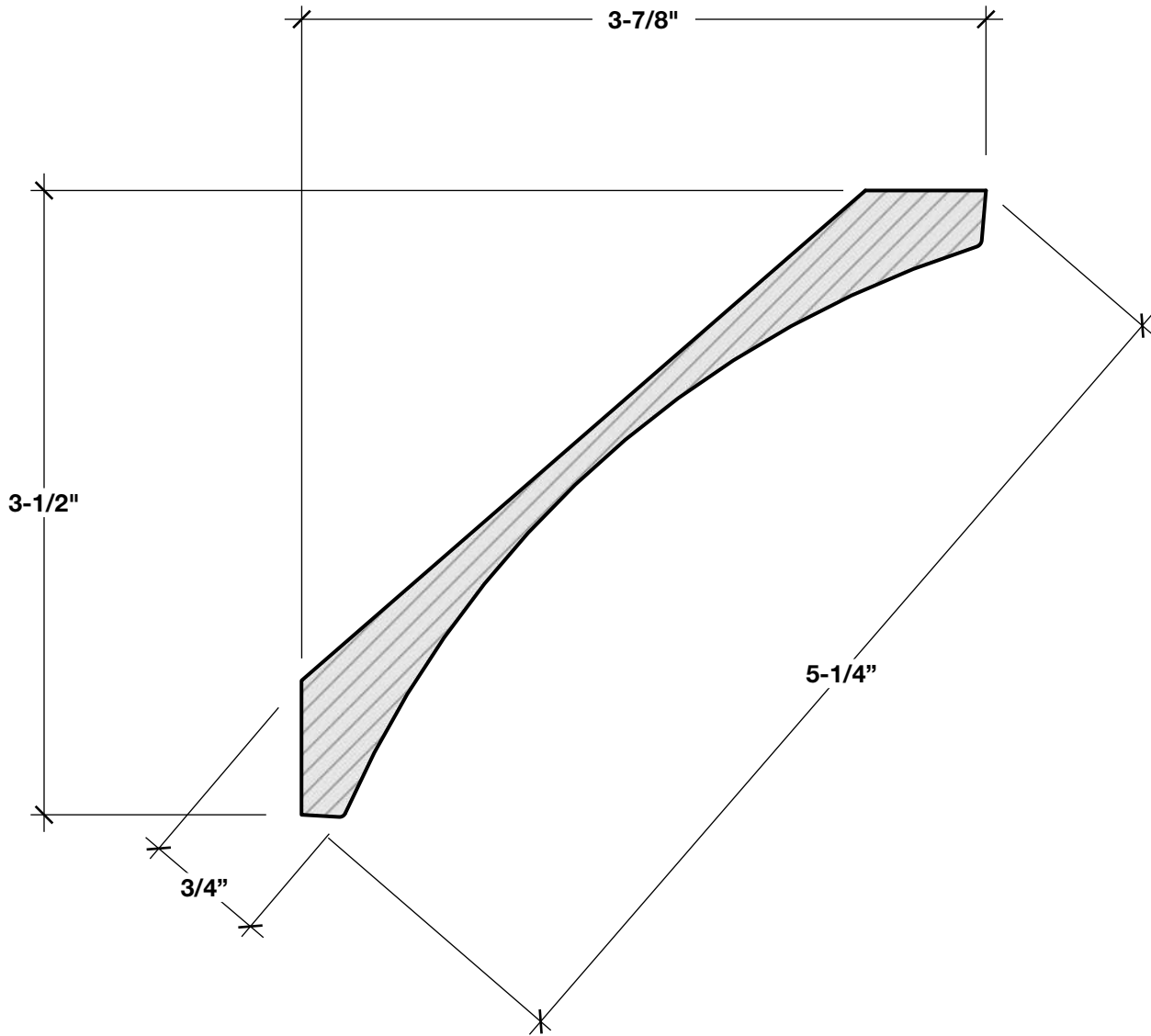
SCALE: 1" = 1"

CTS&I, Inc.
250 Energy Blvd
Rocky Mount, VA 24151
(540) 483-1222
www.ctsandl.com

CTS&I
BUILDING PRODUCTS AND SERVICES

623

9/16" x 3-1/4" BASE MOULD



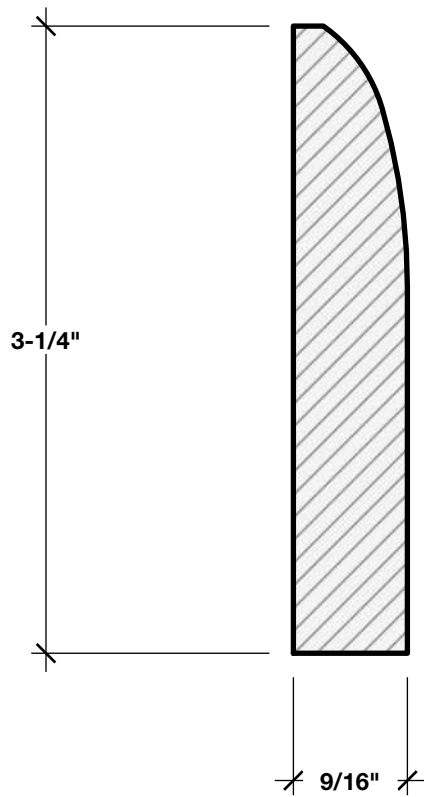
SCALE: 1" = 1"

CTS&I, Inc.
 250 Energy Blvd
 Rocky Mount, VA 24151
 (540) 483-1222
 www.ctsandl.com

CTS&I
 BUILDING PRODUCTS AND SERVICES

653

3/4" x 5-1/4" CROWN MOULD



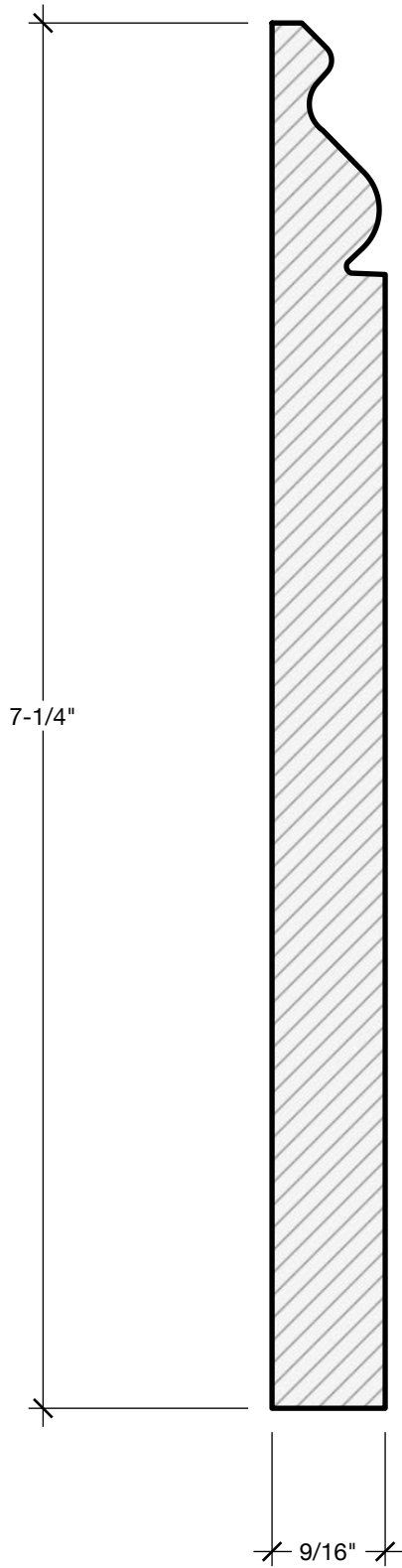
SCALE: 1" = 1"

CTS&I, Inc.
250 Energy Blvd
Rocky Mount, VA 24151
(540) 483-1222
www.ctsandi.com

CTS&I
BUILDING PRODUCTS AND SERVICES

713

9/16" x 3-1/4" BASE MOULD



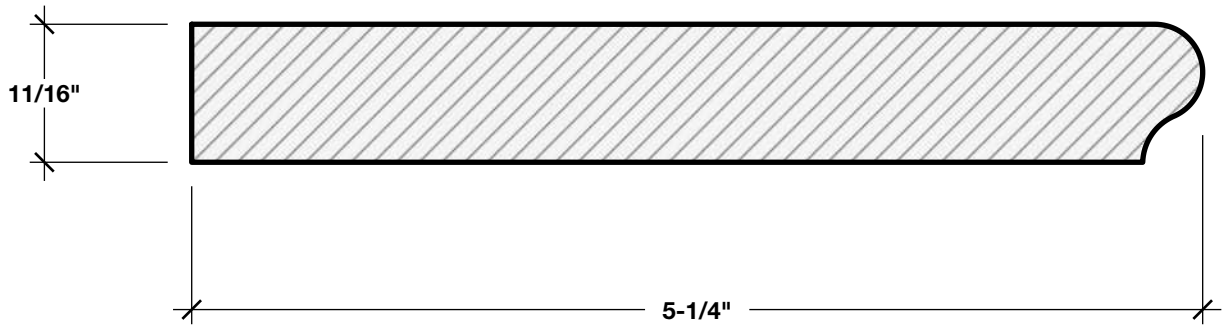
SCALE: 1" = 1"

CTS&I, Inc.
250 Energy Blvd
Rocky Mount, VA 24151
(540) 483-1222
www.ctsandi.com

CTS&I
BUILDING PRODUCTS AND SERVICES

810

9/16" x 7-1/4" BASE



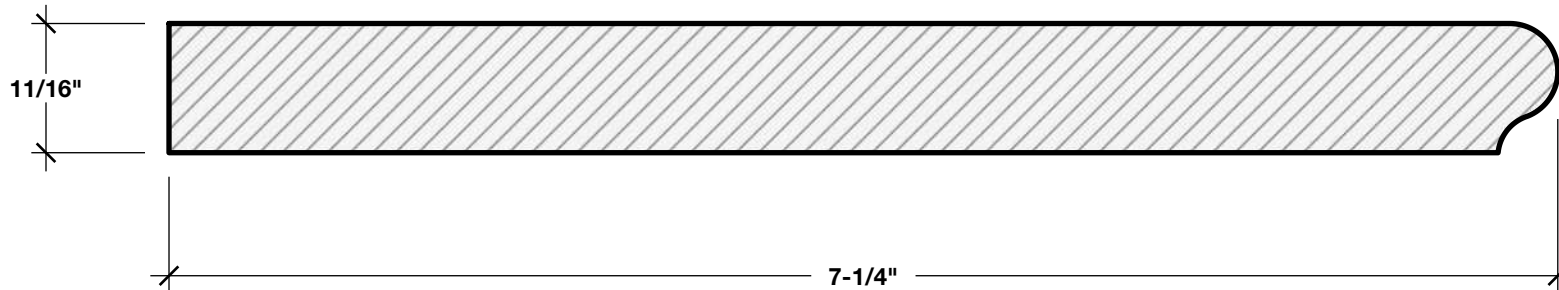
SCALE: 1" = 1"

CTS&I, Inc.
250 Energy Blvd
Rocky Mount, VA 24151
(540) 483-1222
www.ctsandl.com

CTS&I
BUILDING PRODUCTS AND SERVICES

1021

11/16" x 5-1/4" STOOL



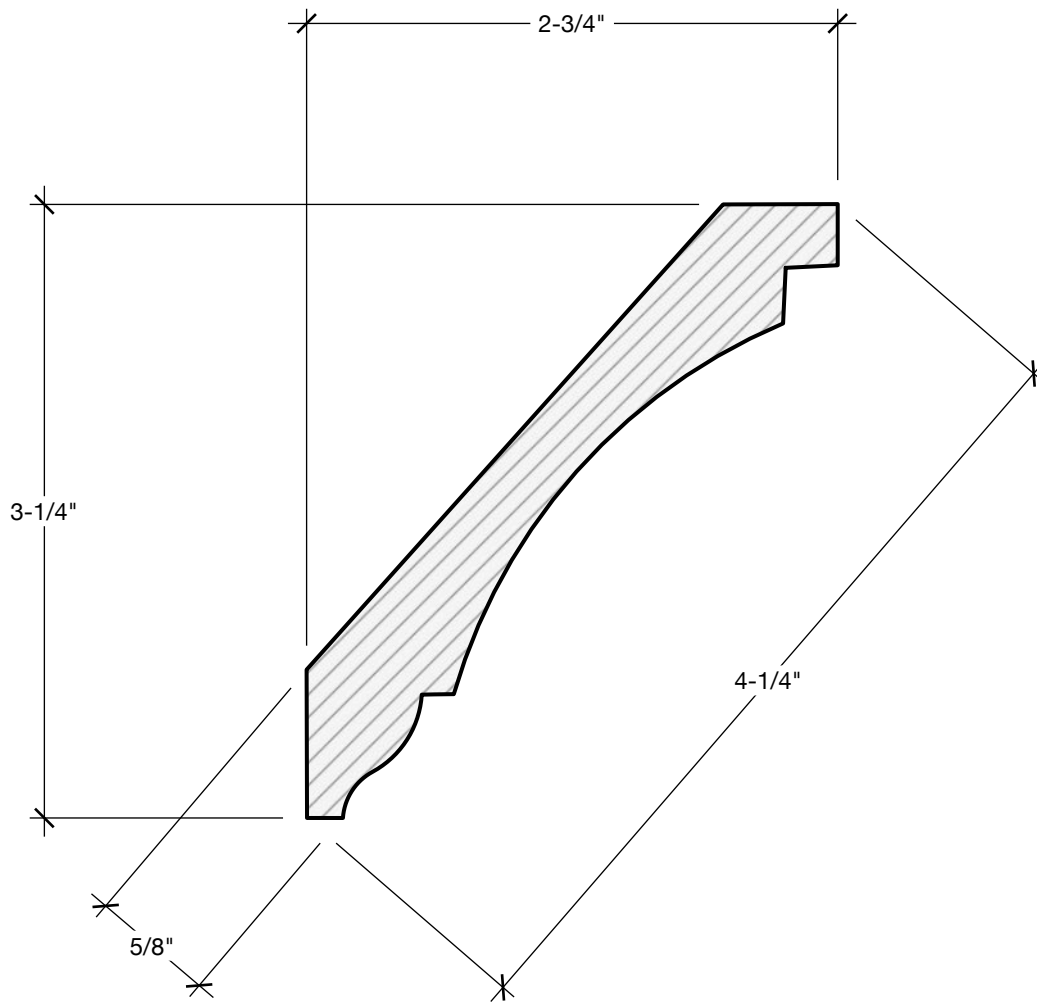
SCALE: 1" = 1"

CTS&I, Inc.
250 Energy Blvd
Rocky Mount, VA 24151
(540) 483-1222
www.ctsandi.com

CTS&I
BUILDING PRODUCTS AND SERVICES

1021B

11/16" X 7-1/4" STOOL



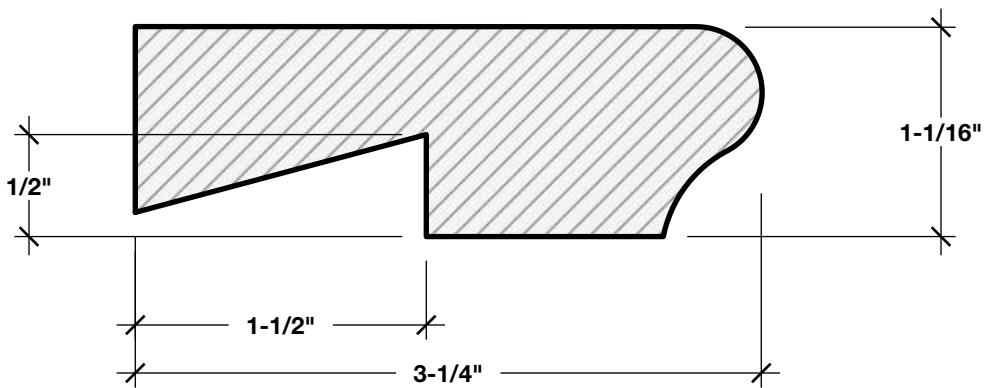
SCALE: 1" = 1"

CTS&I, Inc.
 250 Energy Blvd
 Rocky Mount, VA 24151
 (540) 483-1222
 www.ctsandi.com

CTS&I
 BUILDING PRODUCTS AND SERVICES

1102

5/8" x 4-1/4" CROWN



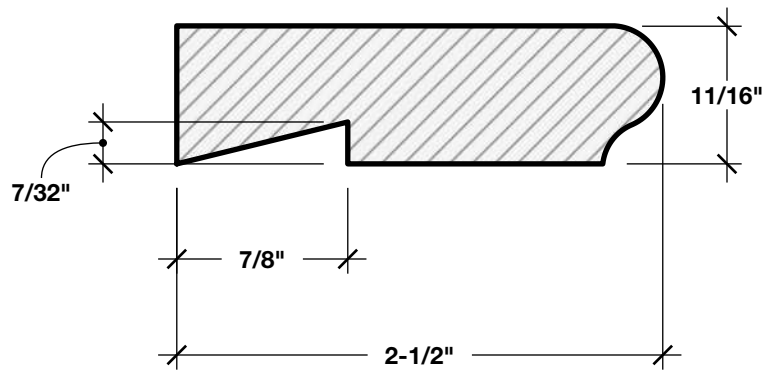
SCALE: 1" = 1"

CTS&I, Inc.
250 Energy Blvd
Rocky Mount, VA 24151
(540) 483-1222
www.ctsandl.com

CTS&I
BUILDING PRODUCTS AND SERVICES

1163

1-1/16" x 3-1/4" STOOL



SCALE: 1" = 1"

CTS&I, Inc.
250 Energy Blvd
Rocky Mount, VA 24151
(540) 483-1222
www.ctsandi.com

CTS&I
BUILDING PRODUCTS AND SERVICES

1195

11/16" x 2-1/2" STOOL